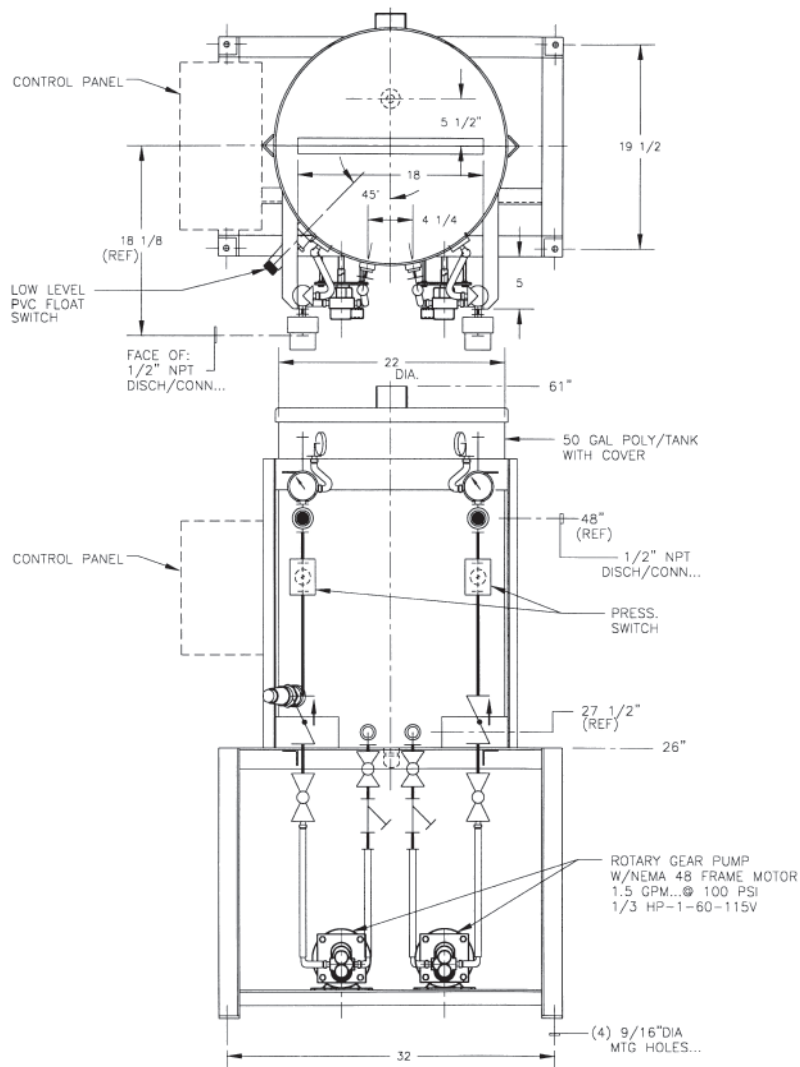


MODEL G-50-1 & G-50-1A



MODEL G-50-2A

SELECTION CHART

MODEL	DESCRIPTION
G-50-1	Complete system including 1.5 gpm (@ 100 psi) pump and low level light.
G-50-1A	Complete system including 1.5 gpm (@ 100 psi) pump, low level light and audible alarm.
G-50-2A	Complete system including two 1.5 gpm (@ 100 psi) pumps, low level light and audible alarm. Separate discharges and pressure switches allow feeding two separate closed loop systems independently from a single tank.
LP	Option to furnish larger pump rated 3.75 gpm (@ 100 psi). Add "LP" to Model Number to specify larger pump; Example G-50-1-LP.

